



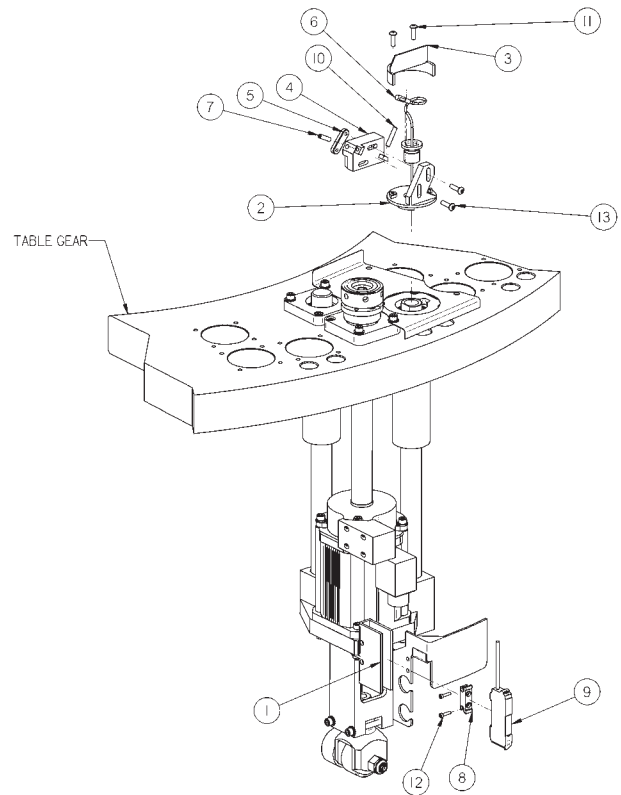
Keyence Laser Sensor Retrofit

For Stolle Registered Embossing Machine
January 2007

Stolle Machinery has a retrofit that will replace the original Keyence laser sensor for Embosser registration. The original parts are part number 703439 SENSOR, LASER KEYENCE FSL-41(800), and 606479 CONTROLLER, FIBER OPTIC KEYENCE FS-L71

The retrofit kit part number is 222010081, and consists of the following parts which include the necessary mechanical mounting components, new amplifier, and the fiber optic sensor:

#	Qty	Part Description
1	1	BRACKET, FIBER OPTIC AMP MOUNTING
2	1	BASE, SENSOR MOUNT, FIBER OPTIC
3	1	COVER, FIBER OPTIC SENSOR
4	1	MOUNT, FIBER OPTIC SENSOR
5	1	NUT BAR, FIBER OPTIC SENSOR MOUNT
6	1	SENSOR, FIBER UNIT, KEYENCE
7	1	SHSS, 10-32X.750
8	1	MOUNTING BRACKET, FIBER OPTIC AMP
9	1	AMP, FIBER OPTIC SENSOR, PIGTAIL
10	1	SHSS #10-32 X 1 FP
11	2	BHCS, 10-24X.625
12	2	SHCS, 5-40X.500
13	2	BHCS, 10-24X.750



Please contact Stolle CMD at 303-708-9044 for pricing and lead time.



Stolle Machinery Company - Can Machinery Division
6949 South Potomac Street, Centennial, CO 80112
Phone: 303-708-9044 Fax: 303-708-9045
www.stollemachinery.com

Copyright 2007 Stolle Machinery Company, All Rights Reserved



Systems Spares Service Support
StollePlus
For The Life of Your Equipment