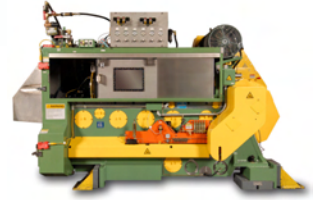




Lightweight Parallel Motion Assembly

For the Stolle Ragsdale Bodymaker
October 2007



In a Stolle Ragsdale Bodymaker, the Parallel Motion Assembly (PMA) converts the rotational motion of the crankshaft into the linear motion of the ram. Stolle has replaced the 40-year-old PMA drive technology with a **Lightweight Parallel Motion Assembly (LPMA)** that has new construction and materials to bring the Ragsdale drive into the 21st Century.

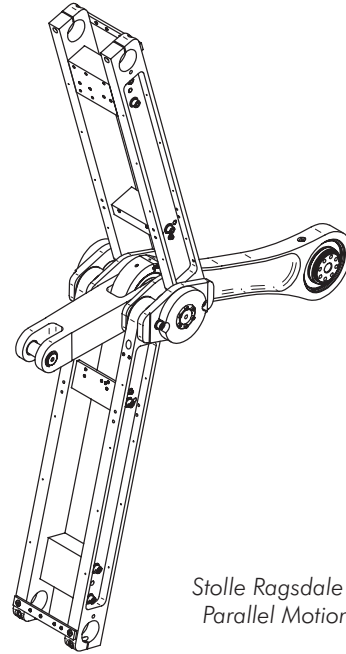
The LPMA has been designed with familiar motion technology and installation procedures. The idlers, connecting link and rocker arms are constructed of lightweight, high strength aluminum, which reduces the total assembly weight to less than 200 lbs. The new LPMA assembly also has bolted joints with no welds to crack and fail.

The connecting rod is constructed of solid steel which offers improved strength without increased size. This means that there is no need to modify the bodymaker frame structural webs for clearance.

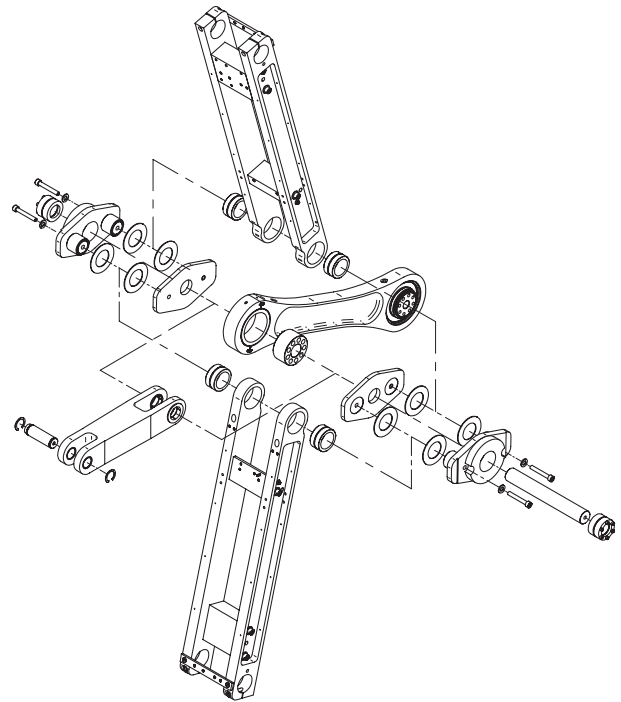
At less than half the weight of a traditional PMA, the LPMA is easier to install and to maintain. One person can more safely handle and install parts on the LPMA as opposed to two people needed for the traditional PMA. The lighter weight means there is less moving mass inside the bodymaker, which decreases machine vibration. There is also the potential to increase machine operating speed.

In addition, the LPMA mechanism has less inherent vertical motion, which provides improved straight line motion of the ram. This produces less wear on the linear ram bearing, and has the potential to improve can quality and wall thickness consistency.

The Stolle Ragsdale LPMA is price competitive with a traditional PMA. Please contact Stolle CMD at 303-708-9044 for pricing and lead time information.



Stolle Ragsdale Lightweight Parallel Motion Assembly



Stolle Machinery Company - Can Machinery Division
6949 South Potomac Street, Centennial, CO 80112
Phone: 303-708-9044 Fax: 303-708-9045
www.stollemachinery.com

Copyright 2007 Stolle Machinery Company, All Rights Reserved

