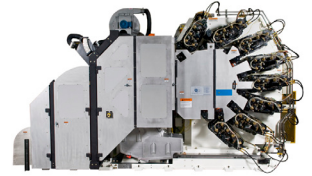




## Inker and Varnish Unit Retrofits

For Stolle Concord Decorators  
September 2010



Stolle is pleased to announce the availability of two improved retrofit components for the inker and varnish units on Concord Decorators.

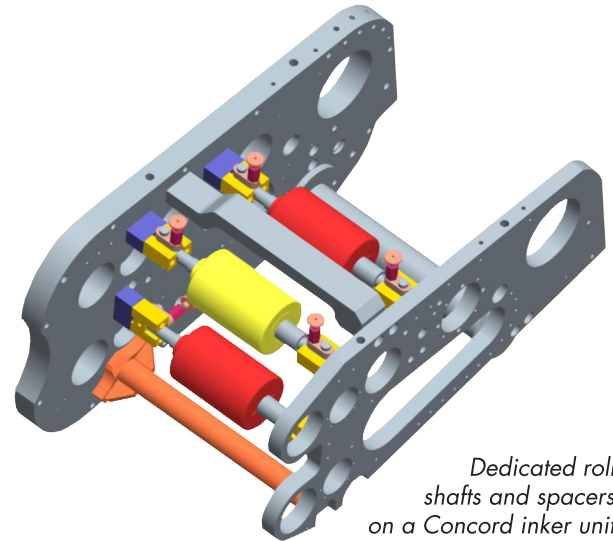
The first retrofit is a **dedicated roll shaft and spacer** for dedicated width sizes of the ink stations rubber rolls. The shorter shaft provides equal spring pressure across the rubber roll, which results in even ink application and higher print quality. The even roll pressure results in less ink misting, and less mist equates to ink savings as well as all the other benefits of a cleaner ink station.

The second retrofit is a **fixed blade varnish fountain**. The new fountain design eliminates the 8 fountain keys found on previous units, which eliminates the need to adjust the blade for proper coating application. In addition to making the fountain easier to set up and use, the elimination of the 8 keys and their mounting block allows for a deeper fountain that holds more overvarnish or base coat material.

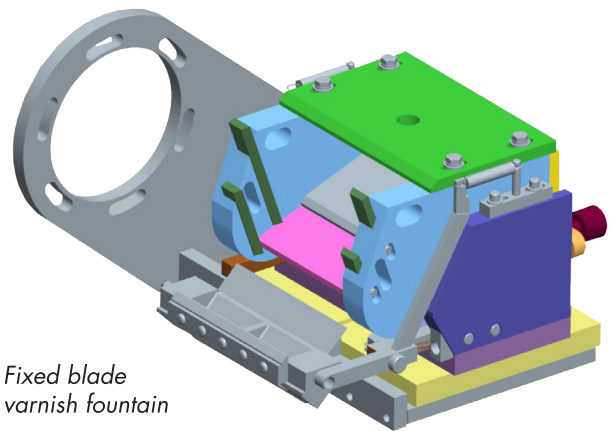
The new fixed-blade fountain design also features a thicker blade that will not flex like the thin blade used in previous fountains. The thicker non-flexing blade allows the gravure roll to more accurately control the coating weight applied to the can.

This new varnish fountain is available for all 24 and 36 mandrel Concord Decorators and Basecoaters, and has been used successfully in machines running at 2,200 cans per minute.

For more information and pricing on these two retrofits for the Concord Decorator, please contact Stolle Machinery at 303-708-9044 or [cmd.info@stollemachinery.com](mailto:cmd.info@stollemachinery.com).



*Dedicated roll shafts and spacers on a Concord inker unit*



*Fixed blade varnish fountain*



**Stolle Machinery Company, LLC**  
6949 South Potomac Street, Centennial, CO 80112  
Phone: 303-708-9044 Fax: 303-708-9045  
[www.stollemachinery.com](http://www.stollemachinery.com)

Copyright 2010 Stolle Machinery Company, All Rights Reserved

