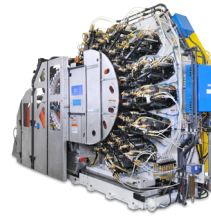


New Design Self-Aligning Mandrel

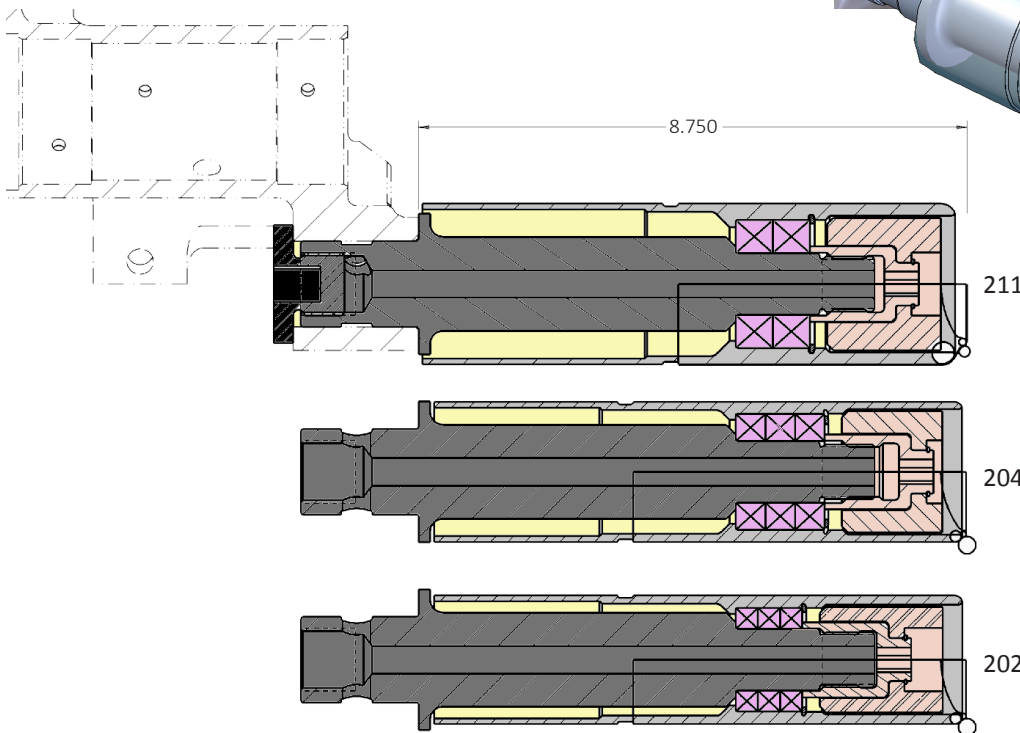
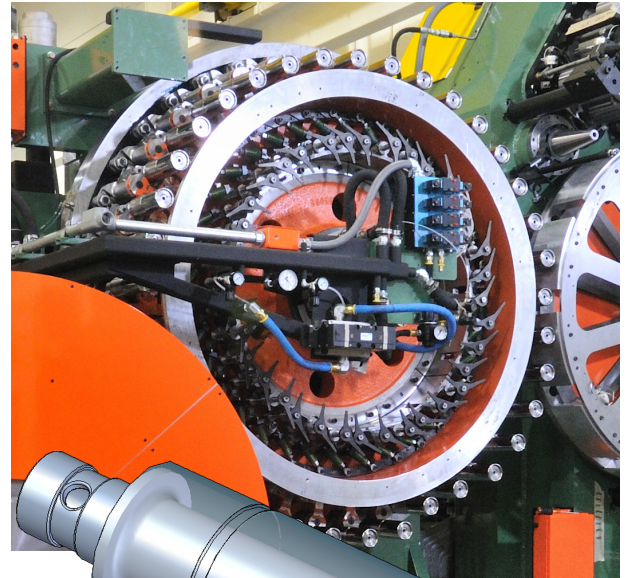
for Stolle Concord Decorators and Basecoaters



Stolle
Concord Decorator
Technical Update 1411-2

Stolle has redesigned the self-aligning mandrels for Concord Decorators and Basecoaters to speed up can diameter changeovers for canmakers who print different size can bodies. The redesigned mandrels have a new universal shaft that will accommodate 3 different size mandrels. By retrofitting a 24 or 36-mandrel turret with the new shafts, diameter changeovers can be accomplished more quickly and easily by simply changing only the mandrels themselves, which saves the step of changing out the shafts each time. As seen in the diagram below, each size mandrel has specially-sized bearings to fit the new universal shaft. The new mandrels are available for the most common 211, 204 and 202 can diameters.

The new mandrels include the unique self-aligning (pivoting) feature introduced in 2011 that allow the mandrels to align themselves with the printing blanket. Pivoting mandrels offer a number of benefits, including lowering the print pressure, less toe-in, and improved tolerance to misalignment.



Top: Concord 36-mandrel turret
Above: Model of a 211 diameter pivoting mandrel showing the shorter shaft and positive location of the 2 bearings near the center of the can print area
Left: Section drawings of how 3 diameter mandrels fit onto the universal shaft with different bearing sizes and arrangements

For more information about Stolle's redesigned self-aligning mandrels for Concord Decorator and Basecoater, please contact Tom Beebe at Stolle Centennial at +1 303-708-5141 or tom.beebe@stollemachinery.com.



Stolle Machinery Company, LLC
6949 South Potomac Street, Centennial, CO 80112
Phone: +1 303-708-9044 Fax: +1 303-708-9045
www.stollemachinery.com

A constant flow of innovations, technology, and new ideas to benefit customers