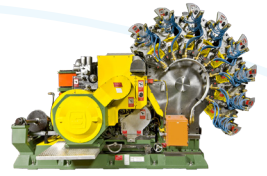


# Distributor Roll Mounting Bracket

for the Stolle Rutherford Decorator

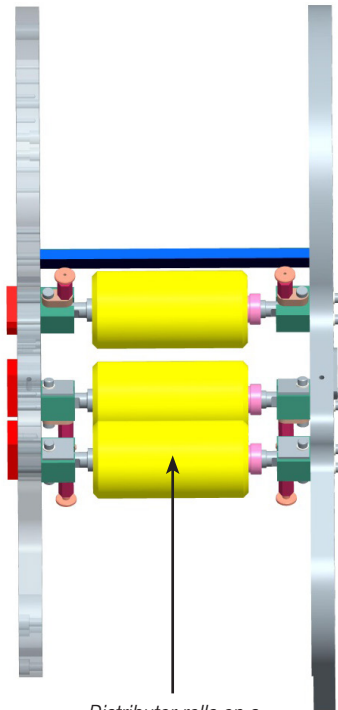
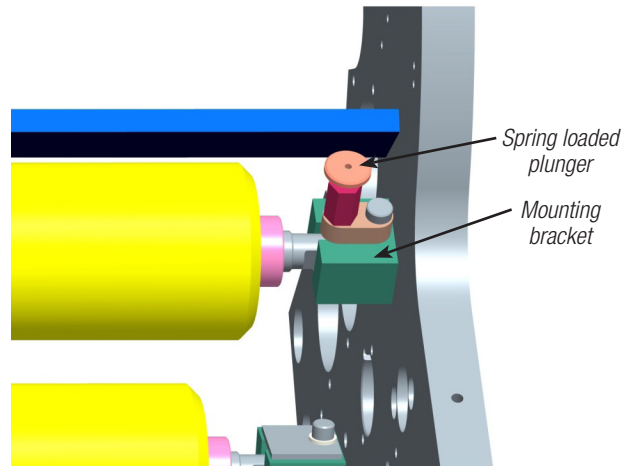
## Stolle Rutherford Decorator Technical Update 1206-3



Stolle has developed a new system for mounting the Rubber Distributor Rolls in the Rutherford Ink Station. The new brackets can be mounted in any Rutherford inker with minor rework to the side frames using the available drilling template and minimal rework to the roll shaft.

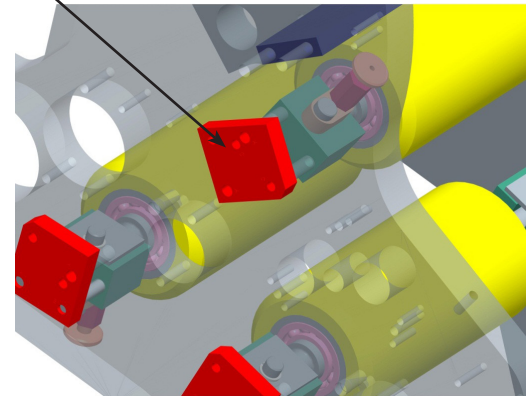
The mount utilizes a spring loaded retainer with a fixed spring rate, and has no adjustments that can vary causing over or under-pressure of the rubber roll to the ceramic rolls. This reduces both wear and heat generation in the rolls giving longer life of the rubber roll as well as less energy and cooling required for the ceramic roll.

This retrofit kit #6CD6-A-466 is available for all Rutherford inkers and can be installed with minor rework.



Distributor rolls on a Rutherford Ink Station

Drill template



For more information and pricing on the Distributor Roll Mounting Bracket for Rutherford Inkers, please contact Mark Santos at Stolle Centennial at +1 303-708-5173 or [mark.santos@stollemachinery.com](mailto:mark.santos@stollemachinery.com).



### Stolle Machinery Company, LLC

6949 South Potomac Street, Centennial, CO 80112  
Phone: +1 303-708-9044 Fax: +1 303-708-9045  
[www.stollemachinery.com](http://www.stollemachinery.com)

A constant flow of innovations, technology and ideas that benefit customers.