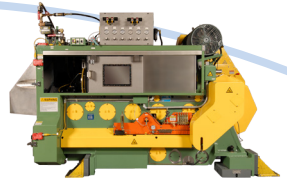


# Improved Redraw Carriage Bushings

for the Stolle Ragsdale Bodymaker

**Stolle**  
**Ragsdale Bodymaker**

Technical Update 1201-1



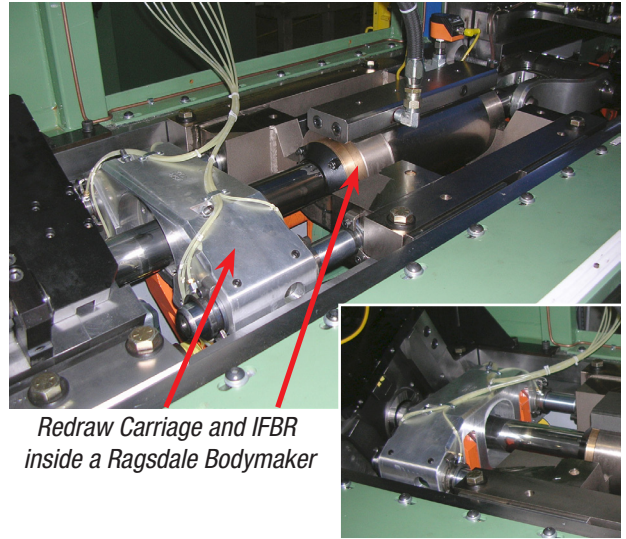
Stolle has introduced new bushings for the redraw carriage in Ragsdale Bodymakers that will last longer and require less maintenance. The redraw carriage assembly slides back and forth through the stroke of the redraw on a pair of guide posts mounted on the FBR\* or IFBR\*\* of the machine. Previously, the bushings have been either a commercial steel bushing or a machined steel or bronze sleeve.

The improved bushings are made of a HyComp® material that will increase the life of the bushings and the guide posts, and will reduce or eliminate the galling that can occur due to misalignment or lack of lubrication. The current design of this HyComp bushing uses oil as a lubricant.

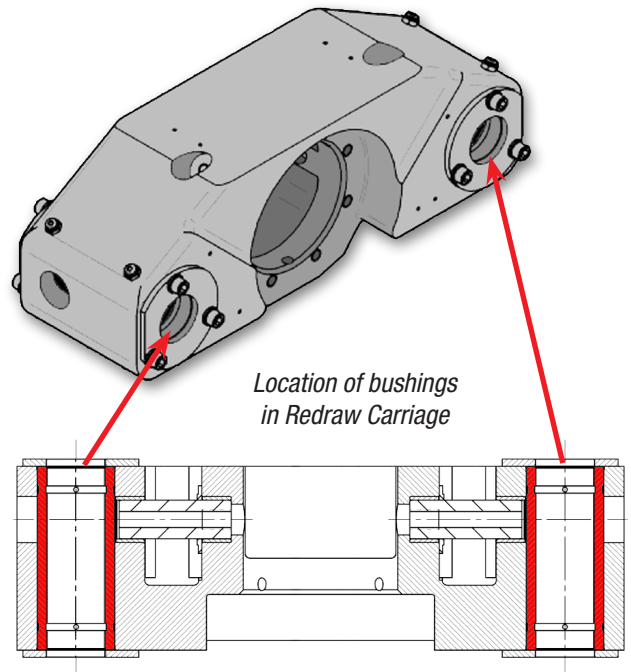
The improved redraw carriage bushings are available for all Ragsdale Bodymakers running a standard redraw carriage. A bushing retrofit kit can be purchased, and the new bushings are now standard on all new machines. The part number for the retrofit kit is 222061411, and it includes 2 HyComp bushings, 4 retainer plates, 4 oil fittings, and the necessary bolts and washers.

\* FBR = Fluid Bearing Ram

\*\*IFBR = Improved Fluid Bearing Ram



*Redraw Carriage and IFBR  
inside a Ragsdale Bodymaker*



*Location of bushings  
in Redraw Carriage*

For more information and pricing, please contact your regional Stolle representative.



**Stolle Machinery Company, LLC**

6949 South Potomac Street, Centennial, CO 80112

Phone: +1 303-708-9044 Fax: +1 303-708-9045

www.stollemachinery.com

A constant flow of innovations, technology and ideas that benefit customers.